



K2 Plus

Stairlift



OWNER'S MANUAL

(To Be Retained by Owner After Installation
by Authorized Savaria Dealer)

Part No. 001188
24-m03-2021

IMPORTANT - READ FIRST

Ensure that only an authorized Savaria mechanic installs and services your Lift. Under no circumstances is anyone other than a mechanic with Savaria training and authorization to install, adjust, service or modify any mechanical or electrical device on this equipment.

Failure to follow this warning can result in safety system compromises or defeat; this can result in serious injury or death. Savaria accepts no liability for property damage, warranty claims or personal injury, including death, in this circumstance.

Passenger safety is the result of countless details in the equipment design, manufacture, and installation. After installation, reliable operation and continual safe operation requires regular inspection and maintenance as outlined in this manual, or more frequently where usage, environment, or local jurisdiction requires. As the Owner, you are responsible for ensuring that regular inspections and maintenance occur in a timely manner as per the manufacturer's recommendations and maintenance schedule.

Refer to this owner's manual for unit description, setup, operating instructions, and a maintenance schedule for your Lift. Upon completion of installation, the Savaria mechanic must provide you with the information for the box below and ensure it is recorded in this owner's manual. In addition, either you or the Savaria mechanic must keep any service and/or maintenance records in the Maintenance Record section of this owner's manual.

At all times, your Lift must be maintained in compliance with the applicable standard to which it has been built and installed.

- United States - A18.1 – Safety Standard for Platform Lifts and Stairway Chairlift
- Canada - CSA B355/613 – Platform lifts and stair lifts for barrier-free access
- Europe - EN-81-40 – Stairlifts and inclined lifting platform intended for persons with impaired mobility
- Europe - 2006/42/EC – Machinery Directive

Depending on your country or region, the local authority code variant may apply.

To ensure safe operation of your Lift, pay careful attention to the important notes, and follow the instructions and any additional safety regulations in this manual.

FOR OWNER'S RECORDS

Customer Name: _____

Installing Dealer: _____

Dealer's Telephone Number: _____

Date Installed: _____

Serial/Job Number: _____

WARRANTY

Ensure your Savaria Dealer provides you with a copy of the manufacturer's limited parts warranty and documentation relating to any Dealer labour warranty.

CONTENTS

TO ENSURE SAFE OPERATION	4
1. DESCRIPTION	5
2. SPECIFICATIONS	6
3. FEATURES	7
Seating Features	7
Safety Features	7
Seat Belt	7
Footrest and Carriage Sensors	7
Safety Switches	7
Emergency Stop Button (Optional)	7
Overspeed Brake	7
Key Switch and Power Switch	8
4. OPERATION	9
Before Operating the Stairlift	9
Operating the Stairlift	9
Emergency Stop (Optional)	10
Emergency Manual Operation	10
5. TROUBLESHOOTING AND MAINTENANCE	12
Operator Troubleshooting	12
Stairlift Will Not Run	12
Stairlift is Beeping While Not Moving.....	12
Stairlift Stops and Won't Restart.....	12
Diagnostic LEDs	13
Maintenance	14
Maintenance Record	15

TO ENSURE SAFE OPERATION

To ensure safe operation of this equipment, pay careful attention to the important notes below.

To ensure safe operation of this equipment, pay careful attention to the important notes below.

- Read this manual carefully before using the equipment.
- To prevent accidents, adhere strictly to the instructions and keep clear of moving parts at all times.
- Follow instructions on all equipment labels at all times. Replace any damaged labels immediately.
- Ensure that only qualified personnel perform maintenance and service on the unit.
- When replacing parts, be sure that only genuine Savaria parts are used.
- This unit is intended for use by a mature person who understands its proper operation as set out in this manual.



At no time should children under the age of 16 use the lift while unsupervised.

- This lift is to be used ONLY for the transport of a person up/down the stairway. Do NOT use the lift for any other purpose (such as the transport of items).
- Do NOT use the lift for firefighting purposes or for evacuation during a fire.
- Prior to operation, make sure that all areas in and around the lift are clear of any obstructions.
- Be very careful of others using the stairs while the lift is in operation as there is a potential risk of collision.
- Test your keys and emergency stop button (if equipped) every month.

1. DESCRIPTION

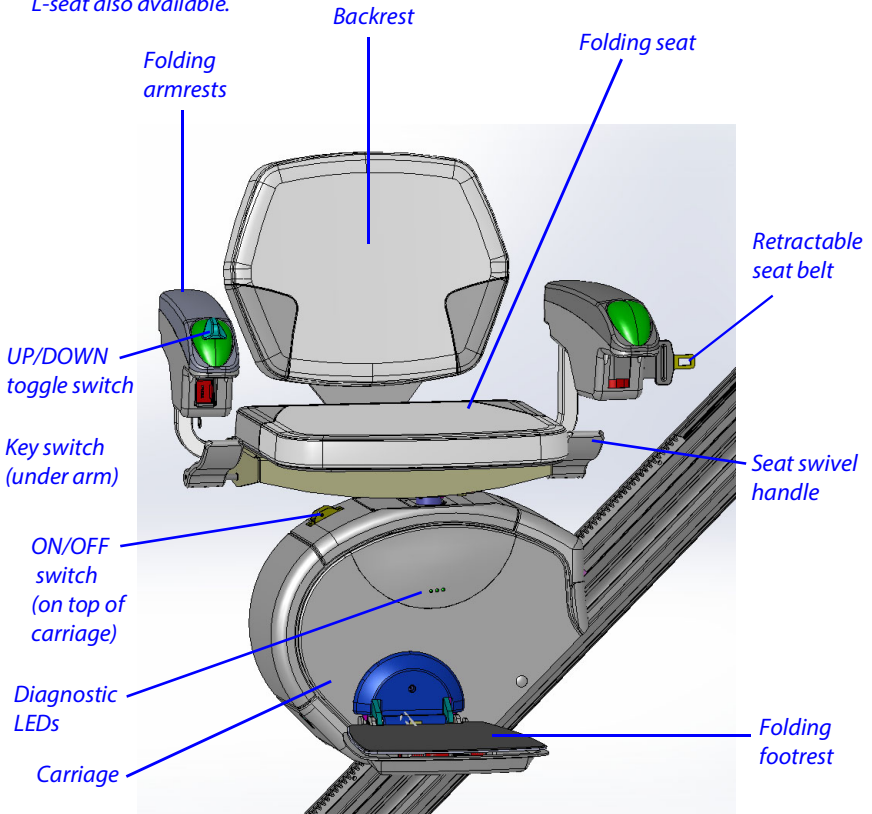
Figure 1 shows the exterior components of the K2 Plus Stairlift.

Figure 1

NOTE:

Plus-seat shown here.

L-seat also available.



2. SPECIFICATIONS

K2 Plus Specifications

Applications	Residential, indoor, straight-run stairway Commercial (where permitted)
Load capacity	Residential: 400 lb (182 kg) Commercial: 350 lb (159 kg) NOTE: Flip-up rail maximum load capacity is 350 lbs (159 kg)
Maximum travel	32 ft (9.75 m)
Travel speed	15 ft/min (0.08 m/s)
Daily cycle	Normal: 10 Heavy: 25 Excessive: 40 Maximum starts in 1 hour on standard installation: 5
Range of incline	30° to 55°
Temperature range	14°F to 104°F (-10°C to 40°C)
Drive system	Rack and pinion
Operator controls	Constant-pressure type (rocker switch and remote control call/send units)
Seat belt	Retractable
Motor	24 VDC, 1/3 HP, 2500 RPM
Noise level	Does not exceed 70 dBA
Fold-up width	16 5/8" to 18 1/4" (42.2 cm to 46.4 cm)
Fold-out width	27 3/8" to 29" (69.5 cm to 73.7 cm)
Rail	Aluminum extrusion
Charging	Charges on standard household power (110 VAC)
Emergency operation	Full up and down travel on power interruption (full battery backup)
Options	Savaria Link remote monitoring
Warranty	36 months

3. FEATURES

Seating Features

The seat assembly swivels in one direction only for transfer in/out of the seat. **For your safety, do not swivel the seat until the unit has stopped.** Once the unit has come to a complete stop, lift up and hold the swivel handle to swivel the seat. Release the handle to lock the seat in place.

When the stairlift is not in use, the seat, armrests, and footrest can be folded up to allow for more space on the stairway.

Safety Features

Seat Belt

Always use the retractable seat belt to ensure that you are safely secured in the chair during travel.

Footrest and Carriage Sensors

There are safety edge sensors on the sides of the footrest and the carriage, and an underpan sensor on the bottom of the footrest. These sensors will stop the stairlift if an obstruction is encountered on the stairway.

If you encounter an obstruction, press the opposite side of the toggle switch to run the stairlift in the opposite direction. Remove the obstacle from the pathway and proceed in the original direction of travel.

Safety Switches

There are upper and lower safety limit switches to stop the stairlift when it reaches the top or bottom of the stairway. There are also mechanical stops at the top of the rail (front and back) to stop the lift from running off the rail.

There is a safety switch for the swivel seat that will prevent the stairlift from running if the seat is not locked in the riding position.

Emergency Stop Button (Optional)

There may be an optional emergency stop button located on the left arm. Pressing this button will stop the unit immediately.

Overspeed Brake

There is an overspeed brake that will engage and stop the lift if the normal downward travel speed is exceeded.

Key Switch and Power Switch

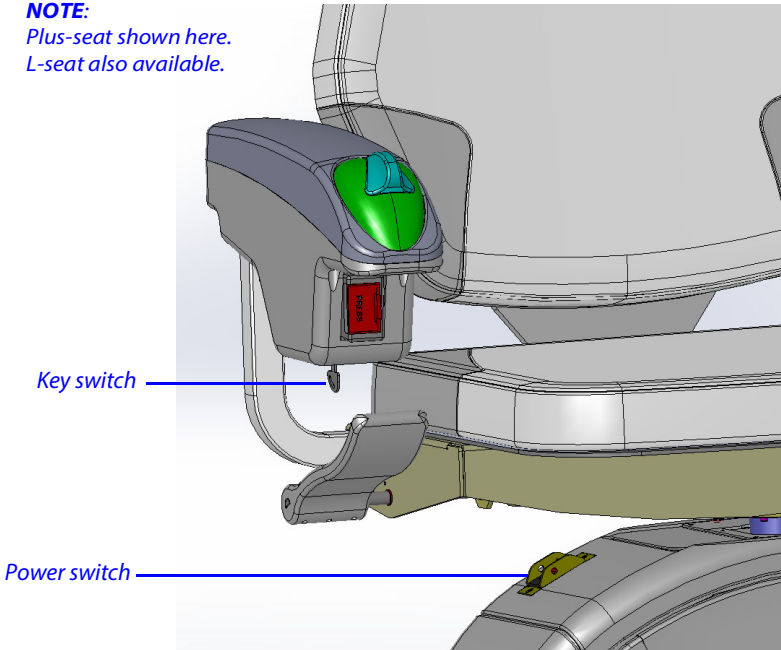
The stairlift is equipped with a key switch on the bottom of the same arm as the toggle switch. The unit cannot be operated unless the key is inserted and turned a quarter turn clockwise to the ON position. Once the key switch is turned on, flip the ON/OFF main power switch (on the top of the carriage) to the ON position.

NOTE

Do NOT turn off the power switch after each trip. Turning off the power switch stops the batteries from charging and this action will eventually drain the batteries.

Figure 2

NOTE:
*Plus-seat shown here.
L-seat also available.*



4. OPERATION

Before Operating the Stairlift

- 1 Ensure the stairway is clear of any obstructions and the stairlift charger is plugged in at the wall.
- 2 Insert the key and turn it a quarter turn clockwise. Flip the ON/OFF power switch to the ON position.
- 3 Check that the seat is locked in the riding position for up/down travel.

NOTE

If the chair has not been used for over an hour, press the remote button twice to wake it from sleep mode. If the chair has not been used for over 24 hours, run the chair from the arm toggle switch for a second to wake it from sleep mode. You can then use the remotes for normal operation.

Operating the Stairlift

- 1 If necessary, use the remote control to call the stairlift to the required end of the rail for boarding. Be sure to point the remote at the lift when pressing the button.
- 2 If necessary, fold down the seat, armrests, and footrest.
- 3 Lift up the seat swivel handle, rotate the seat to a comfortable boarding position, and then release the swivel handle to lock the seat in place.
- 4 Ensure the seat is locked in place before boarding.
- 5 Position yourself in the seat and fasten the seat belt.
- 6 Lift up and hold the seat swivel handle and rotate the seat so you are parallel to the rail (with your back against the wall). Release the swivel handle to lock the seat in the riding position.
- 7 Place your feet securely on the footrest and your arms on the armrests.
- 8 Press and hold the toggle switch to move the stairlift in the desired direction.
- 9 The stairlift will stop automatically at the upper or lower end of the rail, or if the toggle switch is released.
- 10 Ensure the stairlift has come to a complete stop before exiting the chair.

- 11 Lift up the seat swivel handle, rotate the seat to a comfortable exit position, and then release the swivel handle to lock the seat in place.
- 12 When the seat is locked in place, unfasten the seat belt and get out of the chair.
- 13 To allow for more room on the stairway when the stairlift is not in use, swivel the seat back to the riding position, and then fold up the seat, armrests, and footrest.
- 14 For more information or training, contact the installing company.

Emergency Stop (Optional)

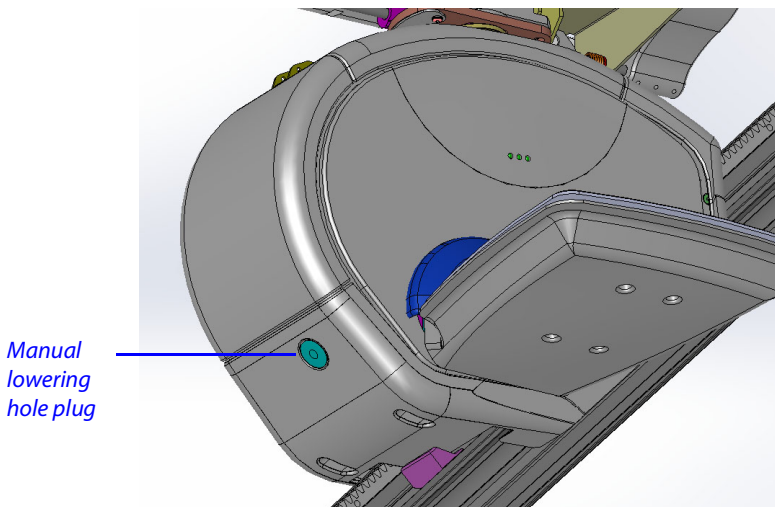
In the event of an emergency, you can press the optional red Emergency Stop button located on the arm of the chair. The stairlift will stop immediately. Once the emergency is dealt with, release the button to restore normal operation.

Emergency Manual Operation

If necessary, you can operate the lift manually using the manual operation tool (handwheel) as described here.

- 1 Turn OFF the main power switch.
- 2 Remove the manual lowering hole plug from the bottom of the carriage.

Figure 3



-
- 3 Fit the shaft of the manual operation tool (shown below) into the manual lowering hole so it engages with the motor shaft.

Figure 4



- 4 For a left-hand unit, turn the handle **clockwise** for the unit to travel **up** the stairs and **counter-clockwise** for the unit to travel **down** the stairs.
- 5 For a right-hand unit, turn the handle **clockwise** for the unit to travel **down** the stairs and **counter-clockwise** for the unit to travel **up** the stairs.
- 6 When movement of the carriage is complete, call your Authorized Dealer for service assistance. DO NOT turn the main power back on.

5. TROUBLESHOOTING AND MAINTENANCE

Operator Troubleshooting

Stairlift will not run

If your stairlift will not run and no lights are on, check the items listed below.

- 1** Make sure the stairlift charger is plugged in at the wall.
- 2** Make sure the key switch is turned ON and the power switch is ON.
- 3** Check the residence main circuit breaker (or fuse) panel for a tripped breaker tripped or blown fuse.

If your stairlift does not operate and all lights are on, check the items listed below.

- 1** Make sure the seat is swiveled and locked in the riding position.
- 2** Check around the footrest and carriage for any obstructions.

If the stairlift does not operate after checking the above items, contact your authorized Savaria dealer.

Stairlift is beeping while not moving

If the stairlift beeps for approximately 20 seconds while not moving, this means the stairlift is not charging.

Check that the stairlift cord is plugged in to the wall outlet.

If the beeping continues, contact your authorized Savaria dealer.

Stairlift stops and won't restart

If the stairlift runs to either end of the stairway and then stops and won't restart, this means that the battery charge is low.

Charge the stairlift.

If the problem continues, contact your authorized Savaria dealer.

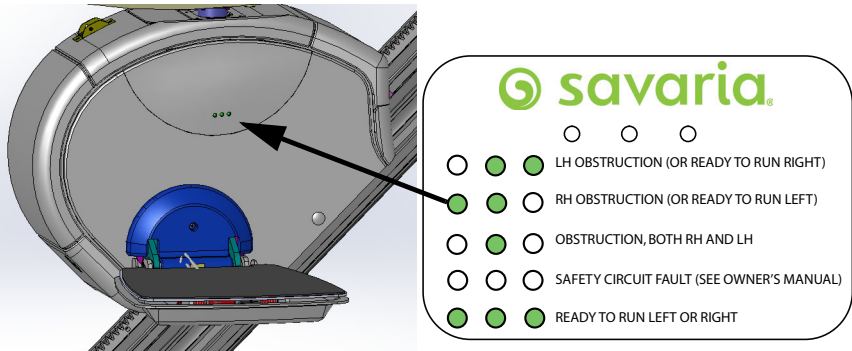
Diagnostic LEDs

There are three diagnostic LEDs located on the carriage front panel.

NOTE

B355 and B613 units DO NOT have the 3 diagnostic LEDs.

Figure 5



LED Status

LEDs	Meaning
Middle and right LEDs on	Left-hand obstruction (or ready to run right)
Middle and left LEDs on	Right-hand obstruction (or ready to run left)
Middle LED on	Obstruction, both right-hand and left-hand
All LEDs off	Safety circuit fault
All LEDs on	Ready to run left or right

Maintenance

NOTE

Regular maintenance (performed by your Authorized Savaria Dealer) will keep your unit in proper operating condition. As the owner of this unit, you are responsible for making sure that maintenance and upkeep are done on a regularly scheduled basis. To ensure proper operating condition of your unit, the items listed below must be performed every 6 months by an Authorized Savaria Dealer.

Additional inspections may be required depending on usage.

Units installed in adverse environments will require additional maintenance on a monthly basis.

Maintenance Schedule

Verification	Frequency
Lubricate the seat swivel system using wheel bearing grease.	As required
Check that the swivel seat switch is working. Ensure the unit will not travel until the swivel seat is locked in the riding position.	Every 3 months
Check that the footrest and carriage sensors are working. Ensure the unit stops when it contacts an obstacle.	Every 3 months
Check that the emergency stop button is working (if equipped). Ensure the unit stops immediately when the button is pressed.	Every 3 months
Check that the seatbelt connects and holds securely.	Every 3 months
Check that the seat and arm fold hinge points are secure.	Every 3 months

Maintenance Schedule (continued)

Verification	Frequency
Check the operation of the limit switches. Ensure the unit stops at the required position at the top and bottom of the stairway.	Every 6 months
Check the operation of the overspeed brake.	Every 6 months
Lubricate the angle and straight rollers with synthetic grease (super lube) or wet graphite grease.	Every 6 months
Check that the top mechanical limits are tight.	Every 6 months
Check that the rail brackets are tight.	Every 6 months
Check that the gear rack is tight and pitched properly.	Every 6 months
Check that the footrest is level and tight.	Every 6 months
Check for any damaged or worn covers or components and replace as needed.	Every 6 months
Check the wiring connections at all points.	Every 6 months
Check for excessive motor, gear or roller noise.	Every 6 months
Check for excessive motor temperature.	Every 6 months
Replace the angle rollers and inspect the vertical rollers for wear (replace if wear is showing).	Every 36 months
Lubricate all rollers with synthetic grease (super lube) or wet graphite grease.	Every 36 months

Maintenance Record

Date	Time	Reason for Call	Comments	Dealer

Authorized Savaria Dealer

K2 Plus Stairlift OWNER'S MANUAL

Part No. 001188
Copyright © 2021

Savaria Concord Lifts, Inc.
2 Walker Drive
Brampton, Ontario, L6T 5E1, Canada
www.savaria.com

For service or questions about this product, please contact your installing dealer.

DEALER NAME: _____

DEALER PHONE: _____

